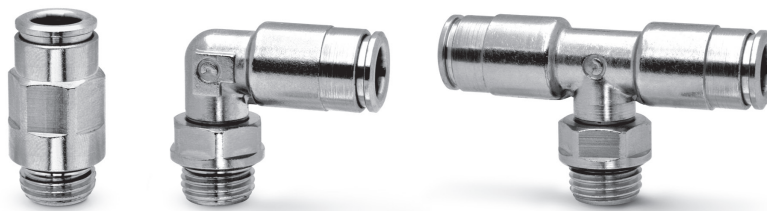


Dual seal super-rapid fittings Series 8000

Tube external diameters: 4, 6, 8 mm (10, 12mm available on request)
Fittings threads: BSP (G1/8 - G1/4)



With its vast experience in manufacturing push-in connections for the pneumatics industry and its in-depth research into fluid power systems, Camozzi has developed Series 8000 super-rapid fitting evolving from Series 6000, which has been extensively tested in the pneumatic sector.

A patented additional seal provides a double tight on the tube, thus ensuring a highly reliable connection and avoiding any possible leakage that may occur. Connection and disconnection of the tube can be repeated several times without the use of proper tools and without compromising the performance of the fitting or the sealing on the tube. The NBR seals are standard and can be easily replaced with FKM and EDM seals.

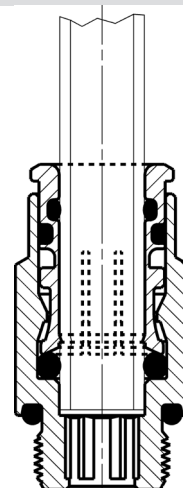
4

CONNECTION

GENERAL DATA

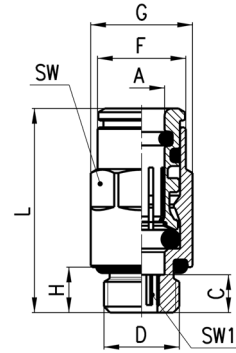
Materials	body and gripper: nickel-plated brass seals: NBR
Threads	Gas cylindrical ISO-228 (BSP)
Pressure	min. - 0,9 - max. 60 bar The Series 8000 fittings have a working pressure of 60 bar but this would generally be limited by the type of tubing used.
Tube to connect	Polyamide (PA) 6 - 11 - 12, PU, Hytel Polyester
Diameters	ø 4, 6, 8
Fluid	All fluids compatible with the fitting's materials requiring a leak-tight seal, e.g. water. For other fluids, please contact our technicians.
Temperature	-20°C ÷ 80°C

Fitting with connecting tube



Fittings Mod. 8512

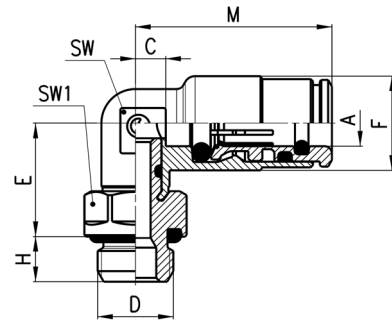
BSP Male Connector


DIMENSIONS

Mod.	A	D	C	F	G	H	L	SW	SW1	Weight (g)
8512 4-1/8	4	G1/8	5	8,8	13,5	6	23,8	12	2,5	14
8512 6-1/8	6	G1/8	5	11,7	13,5	6	27	12	4	15
8512 6-1/4	6	G1/4	6	11,7	16,4	7	28	15	4	25
8512 8-1/8	8	G1/8	8,5	13,7	15,2	6	32,5	14	5	20
8512 8-1/4	8	G1/4	7	13,7	16,4	7	31	15	6	24

Fittings Mod. 8522

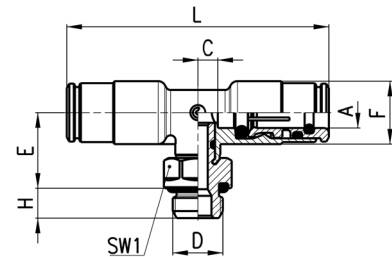
BSP Swivel Male Elbow


DIMENSIONS

Mod.	A	D	C	E	F	H	M	SW	SW1	Weight (g)
8522 4-1/8	4	G1/8	3	14,5	10	6	21,5	9	12	18
8522 6-1/8	6	G1/8	4	15	12,5	6	26	10	12	23
8522 6-1/4	6	G1/4	4	16	12,5	7	26	10	15	30
8522 8-1/8	8	G1/8	5	16	14,5	6	29	12	12	28
8522 8-1/4	8	G1/4	5	17	14,5	7	29	12	15	34

Fittings Mod. 8432

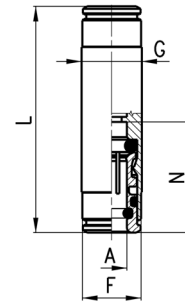
BSP Swivel Male Tee


DIMENSIONS

Mod.	A	D	C	E	F	H	L	SW1	Weight (g)
8432 4-1/8	4	G1/8	3	14,5	10	6	43	12	25
8432 6-1/8	6	G1/8	4	15	12,5	6	52	12	33
8432 8-1/8	8	G1/8	5	16	14,5	6	58	12	42
8432 8-1/4	8	G1/4	5	17	14,5	7	58	15	49

Fittings Mod. 8580

Union Connector

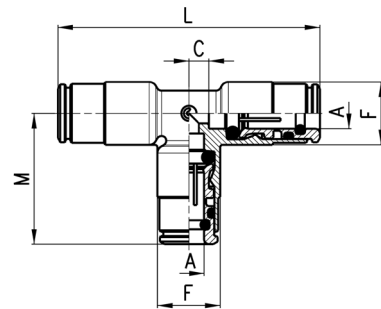


DIMENSIONS

Mod.	A	F	G	L	N	Weight (g)
8580 4	4	8,8	10	38	19	16
8580 6	6	11,7	12	45	22	23
8580 8	8	-	14	48	24	30

Fittings Mod. 8540

Tee Connector

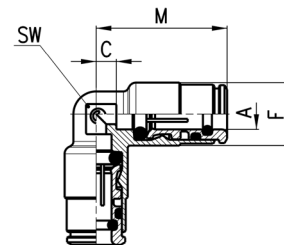


DIMENSIONS

Mod.	A	C	F	M	L	Weight (g)
8540 4	4	3	10	21,5	43	22
8540 6	6	4	12,5	26	52	35
8540 8	8	5	14,5	29	58	49

Fittings Mod. 8550

Elbow Connector



DIMENSIONS

Mod.	A	C	F	M	SW	Weight (g)
8550 4	4	3	10	21,5	9	15
8550 6	6	4	12,5	26	10	25
8550 8	8	5	14,5	29	12	34