

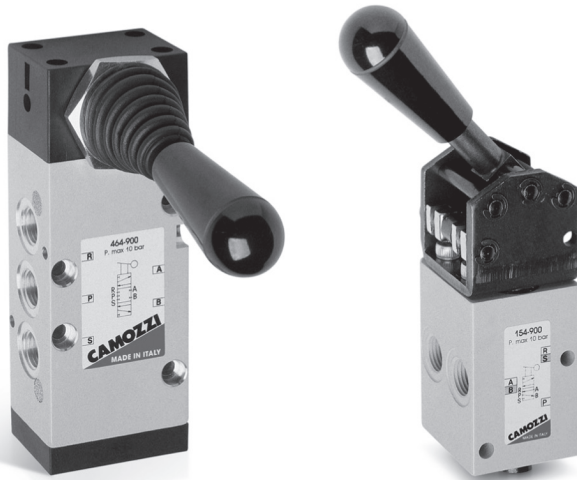
# Manually operated valves Series 1, 3, 4 and VMS

Series 1, 3 and 4: 3/2, 5/2 and 5/3-way CC CO CP

Ports G1/8 - G1/4

Series VMS: 3/2-way

Ports G1/8 - G1/4 - G3/8 - G1/2



The manual valves Series 3 (G1/8) and Series 4 (G1/4), 3/2 - 5/2-way and 5/3-way, are available with devices designed to satisfy different needs. The 3/2-way valves Series 3 and 4 are normally closed when 1 is the inlet; they can also be normally open when 3 is the inlet.

The 5/2-way valves for Series 3 and 4 maybe supplied via the ports 3 and 5 with two different pressures if a cylinder has to be operated using a delivery pressure which is different from the return pressure.

The Series 1 is provided with two devices : pushbutton (3/2-way) and lever (3/2 and 5/2-way).

## GENERAL DATA

<b>Construction</b>	spool-type (Series 3 and 4) - poppet-type (Series 1) - slide (Series VMS)
<b>Valve group</b>	3/2 - 5/2 - 5/3 way/pos.
<b>Materials</b>	aluminium body, stainless steel spool, NBR seals
<b>Ports</b>	G1/8 - G1/4
<b>Ambient temperature</b>	0°C + 60°C
<b>Medium temperature</b>	0°C + 50°C
<b>Operating pressure</b>	see models
<b>Fluid</b>	Filtered air, without lubrication. If lubricated air is used, it is recommended to use ISO VG32 oil. Once applied the lubrication should never be interrupted.

**CODING EXAMPLE**

<b>3</b>	<b>3</b>	<b>8</b>	<b>-</b>	<b>900</b>
----------	----------	----------	----------	------------

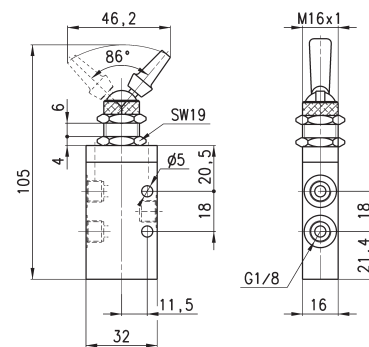
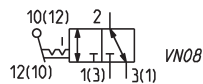
<b>3</b>	SERIES: 1 3 4
<b>5</b>	FUNCTION: 3 = 3/2-way NC 5 = 5/2-way 6 = 5/3-way CC 7 = 5/3-way CO
<b>8</b>	PORTS: 8 = G1/8 4 = G1/4
<b>900</b>	RESETTING: 895 = pushbutton, monostable, black 896 = pushbutton, monostable, green 897 = pushbutton, monostable, red 900 = lever, bistable 905 = lever, monostable 910 = knob, bistable 915 = knob, monostable 935 = digital monostable 975 = palm-switch, monostable, black 976 = palm-switch, monostable, green 977 = palm-switch, monostable, red 990 = switch, bistable

2

CONTROL

**Valve**

Actuating force = 18N  
 Operating pressure = -0,9 ÷ 10 bar  
 Flow rate = 700 NI/min.



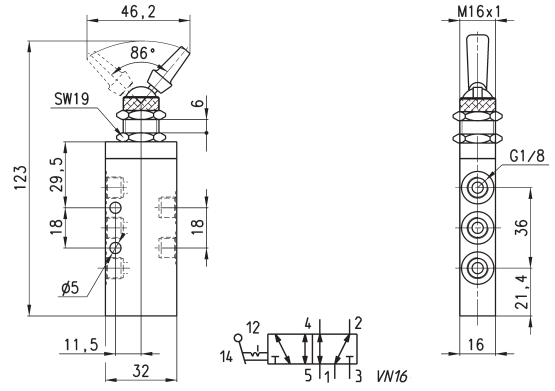
Mod.

**338-990**
2/4.30.02



Valve

Actuating force = 18N  
 Operating pressure = -0,9 ÷ 10 bar  
 Flow rate = 700 NI/min.

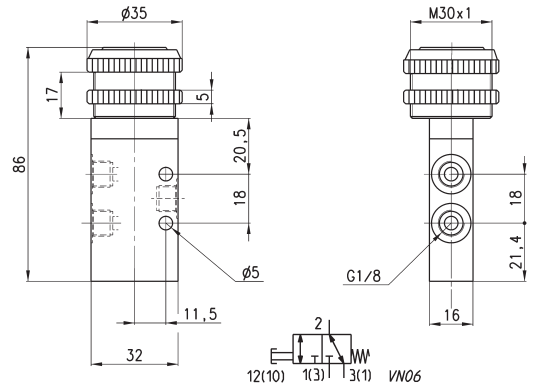


Mod.	
358-990	



Valves

Actuating force = 35N  
 Operating pressure = -0,9 ÷ 10 bar  
 Flow rate = 700 NI/min.

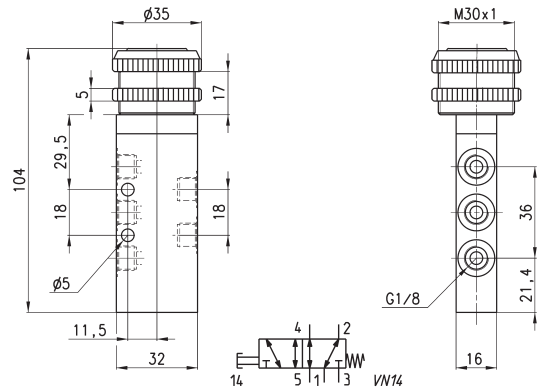


Mod.	Colors
338-895	Black
338-896	Green
338-897	Red



Valves

Actuating force = 35N  
 Operating pressure = -0,9 ÷ 10 bar  
 Flow rate = 700 NI/min.

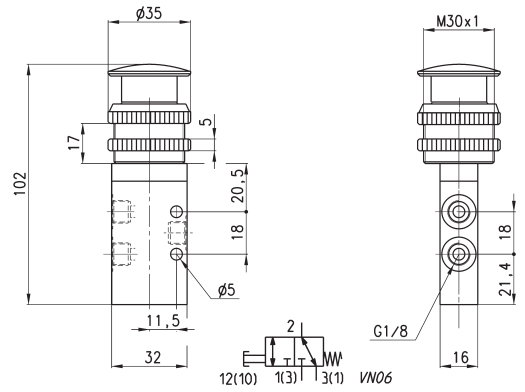


Mod.	Colors
358-895	Black
358-896	Green
358-897	Red



Valves

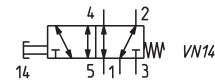
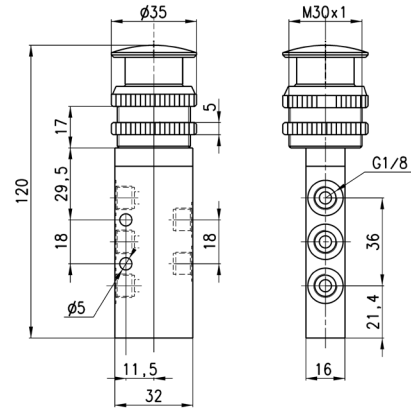
Actuating force = 35N  
 Operating pressure = -0,9 ÷ 10 bar  
 Flow rate = 700 NI/min.



Mod.	Colors
338-975	Black
338-976	Green
338-977	Red

**Valves**

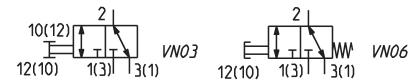
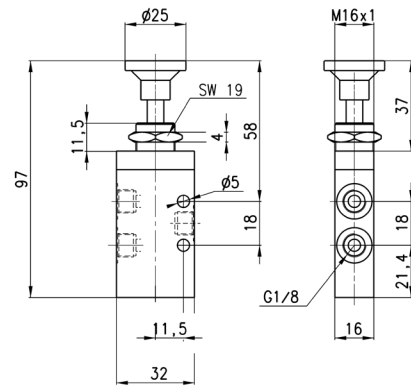

Actuating force = 35N  
 Operating pressure = -0,9 ÷ 10 bar  
 Flow rate = 700 NI/min.



Mod.	Colors
<b>358-975</b>	Black
<b>358-976</b>	Green
<b>358-977</b>	Red

**Valves**

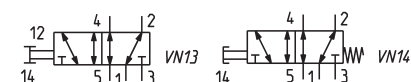
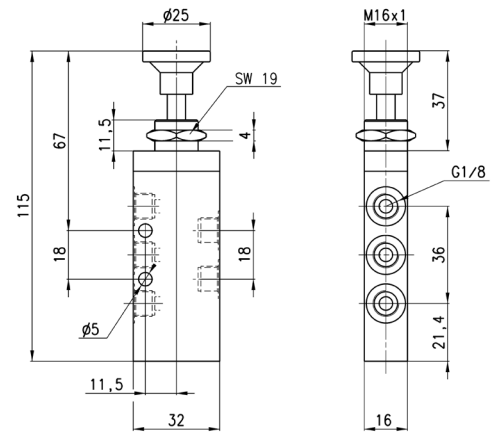

338-910 Actuating force = 6N  
 338-915 Actuating force = 35N  
 Operating pressure = -0,9 ÷ 10 bar  
 Flow rate = 700 NI/min.



Mod.	Symbol
<b>338-910</b>	VN03
<b>338-915</b>	VN06

**Valves**


358-910 Actuating force = 6N  
 358-915 Actuating force = 35N  
 Operating pressure = -0,9 ÷ 10 bar  
 Flow rate = 700 NI/min.

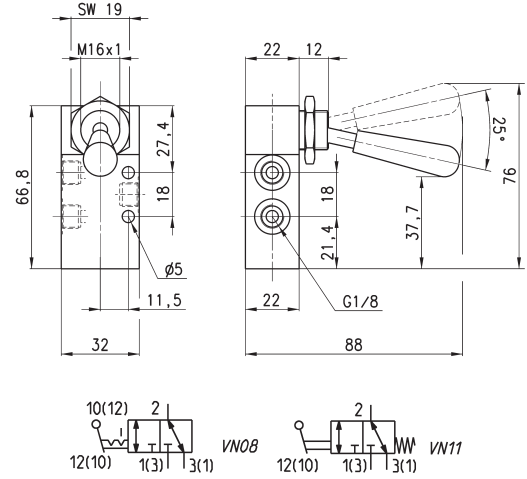


Mod.	Symbol
<b>358-910</b>	VN13
<b>358-915</b>	VN14

Valves



338-910 Actuating force = 6N  
 338-915 Actuating force = 35N  
 Operating pressure = -0,9 ÷ 10 bar  
 Flow rate = 700 NI/min.

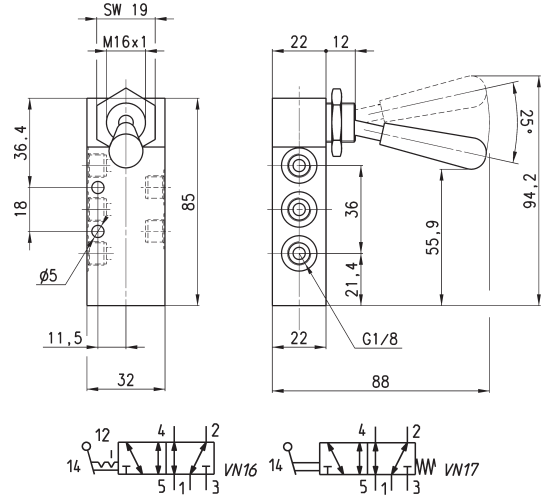


Mod.	Symbol
338-900	VN08
338-905	VN11

Valves



358-900 Actuating force = 5N  
 358-905 Actuating force = 22N  
 Operating pressure = -0,9 ÷ 10 bar  
 Flow rate = 700 NI/min.

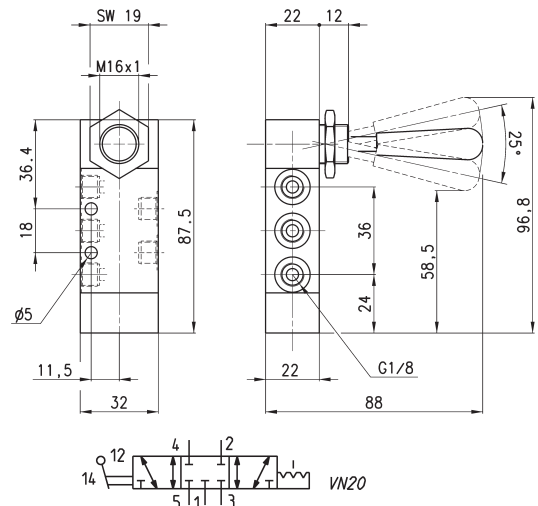


Mod.	Symbol
358-900	VN16
358-905	VN17

Valve



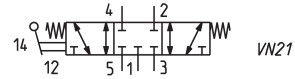
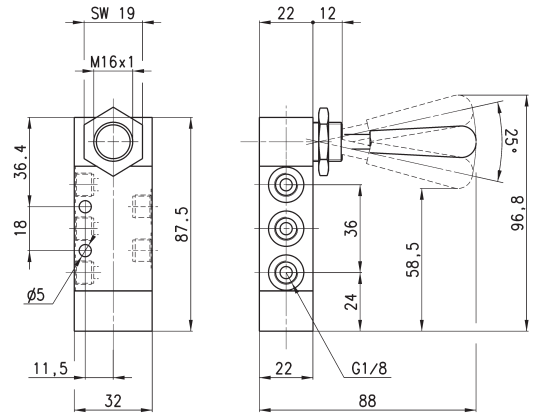
Actuating force = 5N  
 Operating pressure = -0,9 ÷ 10 bar  
 Flow rate = 500 NI/min.



Mod.
368-900

**Valve**

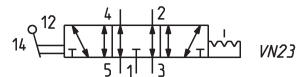
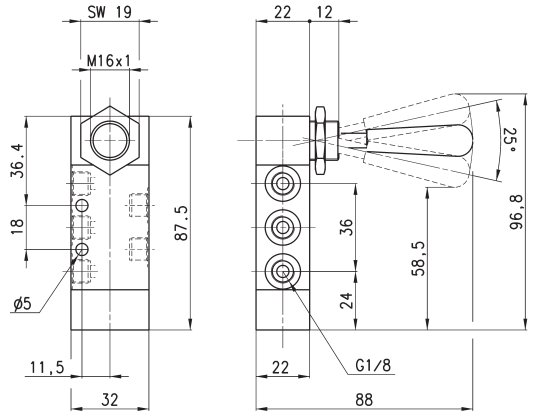
Actuating force = 20N  
 Operating pressure = -0,9 ÷ 10 bar  
 Flow rate = 500 NI/min.



Mod.  
**368-905**

**Valve**

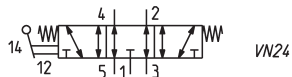
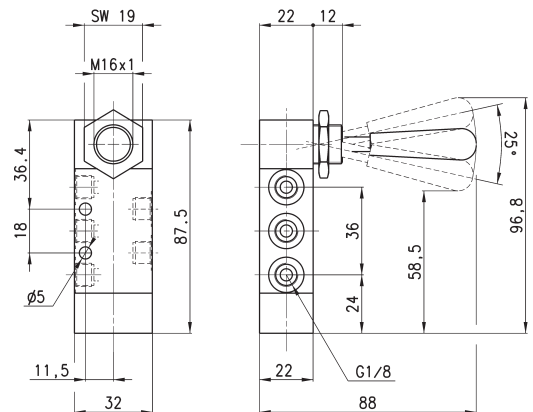
Actuating force = 5N  
 Operating pressure = -0,9 ÷ 10 bar  
 Flow rate = 500 NI/min.



Mod.  
**378-900**

**Valve**

Actuating force = 20N  
 Operating pressure = -0,9 ÷ 10 bar  
 Flow rate = 500 NI/min.

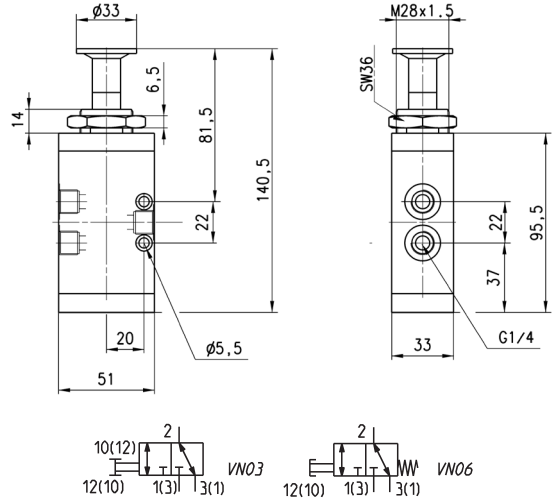


Mod.  
**378-905**

Valves



434-910 actuating force = 10N  
 434-915 actuating force = 37N  
 Operating pressure = -0,9 ÷ 10 bar  
 Flow rate = 1250 NI/min.

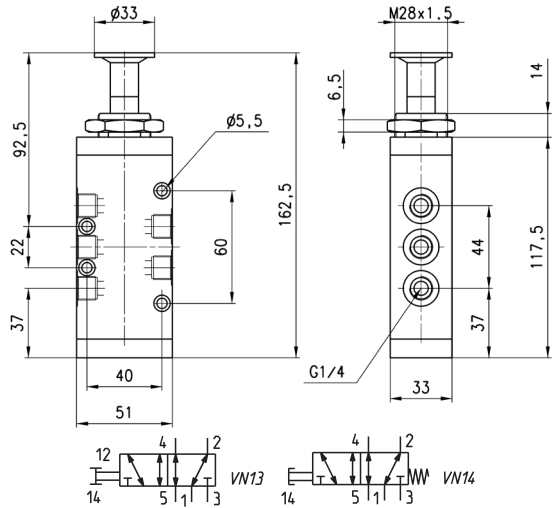


Mod.	Symbol
434-910	VN03
434-915	VN06

Valves



454-910 actuating force = 10N  
 454-915 actuating force = 37N  
 Operating pressure = -0,9 ÷ 10 bar  
 Flow rate = 1250 NI/min.

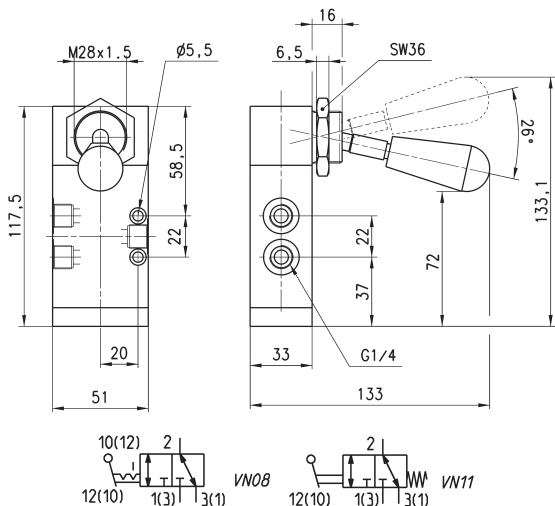


DIMENSIONS	
Mod.	Symbol
454-910	VN13
454-915	VN14

Valves



434-900 actuating force = 5N  
 434-905 actuating force = 37N  
 Operating pressure = -0,9 ÷ 10 bar  
 Flow rate = 1250 NI/min.



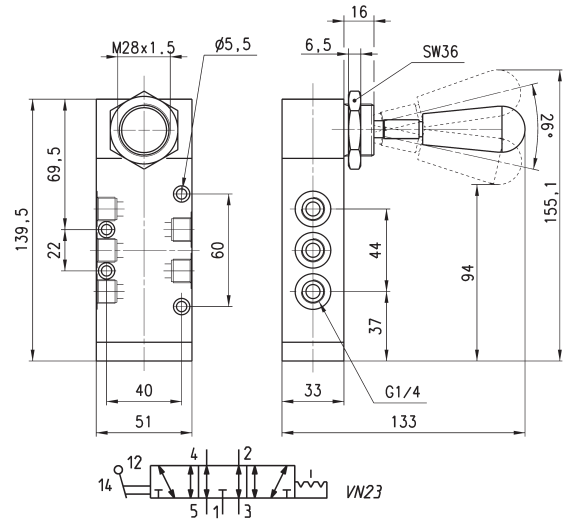
Mod.	Symbol
434-900	VN08
434-905	VN11





Valve

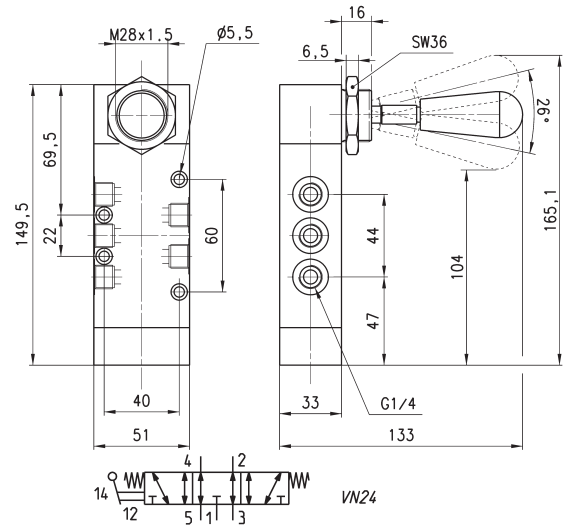
Actuating force = 5N  
 Operating pressure = -0,9 ÷ 10 bar  
 Flow rate = 1250 NI/min.



Mod.  
**474-900**

Valve

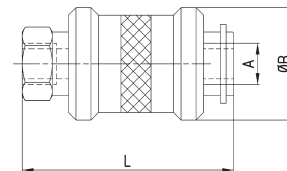
Actuating force = 10N  
 Operating pressure = -0,9 ÷ 10 bar  
 Flow rate = 1250 NI/min.



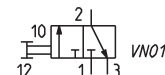
Mod.  
**474-905**

Valves

Operating pressure: 0 ÷ 8 bar  
 Operating temperature: - 10 ÷ 80°C.

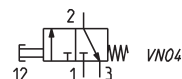
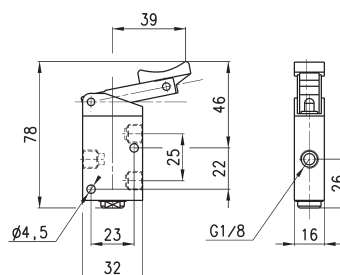


Mod.	A	ØB	L	Q* (NI/min) 1-2	Q* (NI/min) 2-3
VMS-105-M5	M5	15	33,5	140	145
VMS-118-1/8	G1/8	25	48	600	740
VMS-114-1/4	G1/4	30	58	1200	1780
VMS-138-3/8	G3/8	35	70	2100	1830
VMS-112-1/2	G1/2	40	80	3350	4030
VMS-134-3/4	G3/4	49,5	83	5350	5000




**Valve**

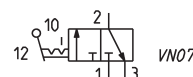
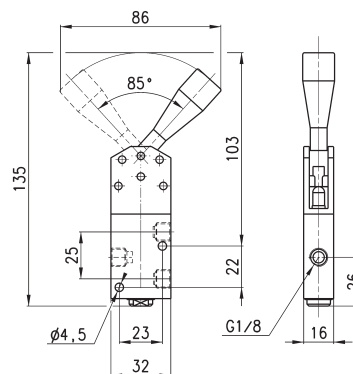
Actuating force at 6 bar = 38N  
 Operating pressure = 0 ÷ 10 bar  
 Flow rate = 500 NI/min.



Mod.  
**138-935**


**Valve**

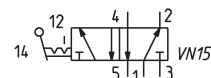
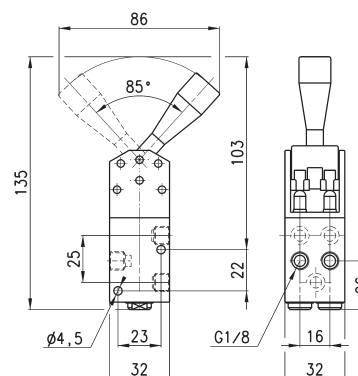
Actuating force at 6 bar = 25N  
 Operating pressure = 0 ÷ 10 bar  
 Flow rate = 500 NI/min.



Mod.  
**138-900**


**Valve**

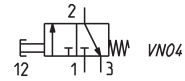
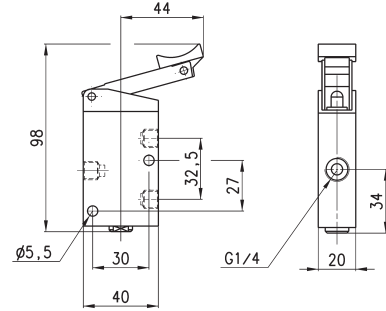
Actuating force at 6 bar = 45N  
 Operating pressure = 0 ÷ 10 bar  
 Flow rate = 500 NI/min.



Mod.  
**158-900**

Valve

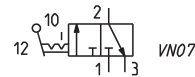
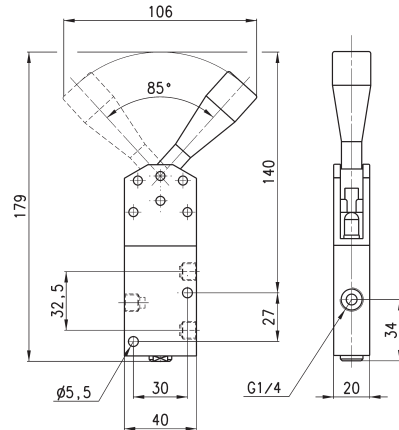
Actuating force at 6 bar = 40N  
 Operating pressure = 0 ÷ 10 bar  
 Flow rate = 1250 NI/min.



Mod.  
**134-935**

Valve

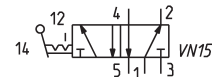
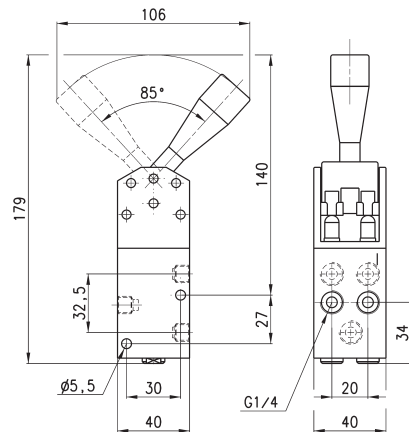
Actuating force at 6 bar = 30N  
 Operating pressure = 0 ÷ 10 bar  
 Flow rate = 1250 NI/min.



Mod.  
**134-900**

Valve

Actuating force at 6 bar = 55N  
 Operating pressure = 0 ÷ 10 bar  
 Flow rate = 1250 NI/min.



Mod.  
**154-900**