



Catalogue

# Series 9000 C-Truck fittings





# Solutions for mobile automation

## C\_Transport

The transport sector is growing continuously and being driven by a demand for solutions that are increasingly complex and unique. Camozzi realized its own internal C\_Transport division, in which technicians and Business Development Managers work in partnership with the client to study the applications even in environmental conditions which are characterized by extreme pressures or temperatures, in which external stress may affect the performances of the components.

The range of Series 9000 C-Truck fittings has been designed and developed to ensure high reliability and safety in the pneumatic braking systems on industrial and commercial vehicles.

### Series 9000 C-Truck fittings

<b>Mod. 9512</b> Page 4 	<b>Mod. D6512</b> Page 5 	<b>Mod. 9510</b> Page 5 	<b>Mod. 9463</b> Page 5 	<b>Mod. 9502</b> Page 6 	<b>Mod. 9500</b> Page 7 	<b>Mod. 9412</b> Page 7 	<b>Mod. 9410</b> Page 7 
<b>Mod. 9422</b> Page 8 	<b>Mod. 9420</b> Page 8 	<b>Mod. 9580</b> Page 9 	<b>Mod. 9590</b> Page 9 	<b>Mod. 9592</b> Page 9 	<b>Mod. 9540</b> Page 10 	<b>Mod. D2512 D2502</b> Page 10 	<b>Mod. D2022</b> Page 10 
<b>Mod. D2062</b> Page 11 	<b>Mod. D2072</b> Page 11 	<b>Mod. D2003</b> Page 11 	<b>Mod. 9450</b> Page 12 	<b>Mod. 9402</b> Page 12 	<b>Mod. D2003 S01</b> Page 12 	<b>Mod. D2032</b> Page 13 	<b>Mod. D2077</b> Page 13 
<b>Mod. D3043</b> Page 13 	<b>Mod. D2602</b> Page 14 	<b>Mod. D2612</b> Page 14 	<b>Mod. VPC</b> Page 14 	<b>Mod. VDC</b> Page 15 	<b>Mod. V604</b> Page 15 	<b>Mod. TRN</b> Page 16 	<b>Mod. DRK</b> Page 16 
<b>Mod. PNZ</b> Page 16 	<b>Mod. PNZP</b> Page 16 	<b>TRUCK-DCASE/9000</b> Page 17 		<b>TRUCK-DCASE/6000</b> Page 17 		<b>TRUCK-DCASE/9000+6000</b> Page 17 	

For further information about availability and delivery times, we kindly suggest you to contact our sales network available on [www.camozzi.com](http://www.camozzi.com).

# Series 9000 C-Truck fittings

For polyamide tubes with external diameter:  
4, 6, 8, 10, 12, 15, 16 and 18 mm



**Series 9000 C-Truck fittings have been designed to connect tubes in the pneumatic braking systems on industrial and commercial vehicles, thus ensuring reliability and ease of assembling. The use of a proper disconnection tool enables to disconnect the tube without having to remove the fitting. All fittings have a protective cap that keeps humidity and dirt away from the collet.**

A reinforced insert enables to keep the dimensions of the tube constant, thus ensuring a tight and safe connection even in case of high changes in temperature. Indeed, C-Truck fittings can be used at extreme temperatures (from -50°C to +100°C). They are assembled according to a precise angle and supplied with a locking nut and a self sealing O-ring. The O-ring on the thread is set in a special groove of the threaded part, ensuring there is no damage during assembly.

The body in brass guarantees a high resistance to corrosion, whilst O-ring and protective cap are made from a rubber

which is resistant to oils. Even though the working pressure depends on the tube used, its maximum value is 16 bar. All fittings are supplied pre-assembled and are therefore ready to use.

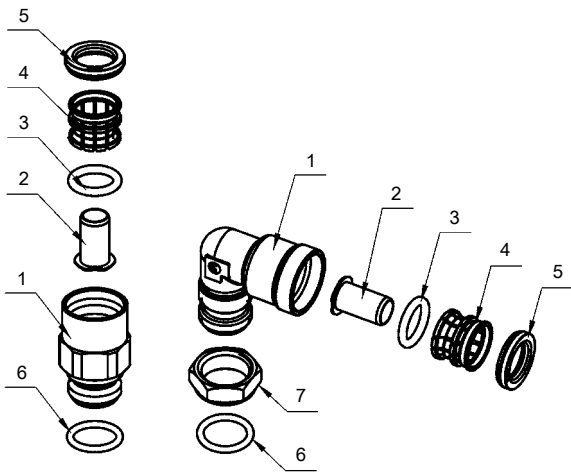
- » DIN 74324:1996
- » DIN EN ISO 9227:2006
- » DIN EN 60068-2-6:1996
- » GOST R 51190-98

## GENERAL DATA

<b>Materials</b>	see the table on the next page
<b>Thread</b>	Metric NPTF
<b>Media</b>	Compressed air
<b>Maximum working pressure</b>	16 bar Note: pressure depends on tube characteristics
<b>Temperature</b>	-50°C + +100°C (see tube characteristics)
<b>Tube</b>	Material: Polyamide Tube diameters (D/d): 4/2, 6/4, 8/6, 10/7, 10/8, 12/9, 15/11, 15/12, 16/12, 16/13 and 18/14

Other models are available upon request. For further information we suggest you to contact directly our technical office at Lumezzane plant.

TABLE OF MATERIALS



PARTS	MATERIALS
1 = Body	Brass
2 = Insert	Technopolymer (Brass only for Ø10/7, 15/11, 16/12, 16/13 and 18/14)
3 = S-rapid O-Ring	NBR
4 = Collet	Brass
5 = Protective seal	NBR
6 = O-Ring for thread	NBR
7 = Locking ring	Steel

FITTINGS ASSEMBLY IN THE SYSTEM

To guarantee the tightening of the fitting in the system, make sure that the thread chamfer conforms to the standard ISO 965 or GOST 10549-80.

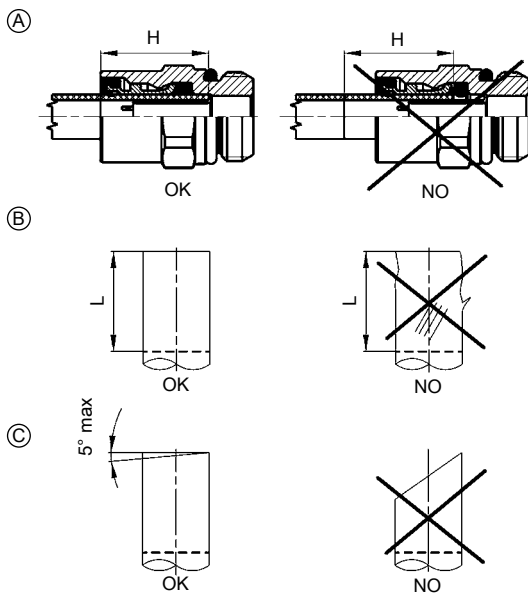
The fittings which have an O-Ring seal on the thread, but no locking nut, have to be screwed into the system with the torque forces as shown in the table below.

For the assembly of fittings with locking nut, it is necessary to do the following:

1. loosen the locking nut
2. screw the fitting into the system until the O-ring comes into contact with the system surface
3. position the fitting according to the suitable angle, moving the body up to 360°
4. keep the body still
5. screw the locking nut with torque forces as shown in the table

Thread	Torque force (Nm)
M10X1	11 - 15
M12X1.5	15 - 19
M14X1.5	19 - 23
M16X1.5	24 - 30
M18X1.5	27 - 33
M22X1.5	36 - 44

ASSEMBLY AND DISASSEMBLY OF THE TUBE INTO THE FITTING



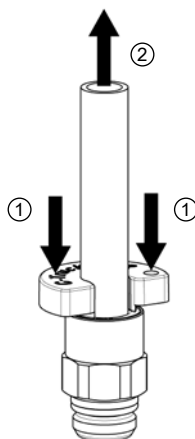
The tube needs to be inserted into the fitting up to the insert stop (A) for the whole length H. It is recommended that you mark the tube to indicate that it has been fully inserted into the fitting.

To guarantee the tube seal with the fitting, it is necessary that the end of the tube that has been inserted for the whole length L is free from any form of damage (B).

To cut the tube end properly, it is recommended that you use the tube cutting tool mod. PNZ.

The angle between the tube and the fitting should not be greater than 5° (C).

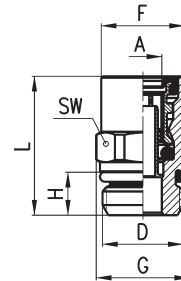
Tube Outer/Inner diameter	Assembly length H (mm)	Insert length L (mm)
4/2	18.5	9.5
6/4	17.5	9.5
8/6	19.5	9.5
10/7	21	11
10/8	21	11
12/9	21.5	11
15/11	25	11.5
15/12	25	11.5
16/12	27.5	13
16/13	27.5	13
18/14	27.5	13



To disconnect the tube it is necessary to push the fittings protective cap using the special disconnection tool (1). First make sure there is no air present inside and then press the protective cap in towards the fittings body (2).

The tube can then be removed from the fitting. Tube assembly and disassembly must be carried out by a technician who has a detailed knowledge of the fittings construction.

## Straight fittings Mod. 9512

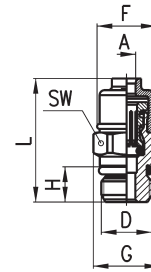


## DIMENSIONS

Mod.	A	D	F	G	H	L	SW	Weight (g)	Package (pcs)
9512 6-M10x1	6/4	M10x1	13.8	15	7	27.5	14	18	10
9512 6-M12x1,5	6/4	M12x1,5	13.8	15	8.5	26	14	17	10
9512 6-M14x1,5	6/4	M14x1,5	13.8	15	8.5	25	14	18	10
9512 6-M16x1,5	6/4	M16x1,5	13.8	17	8.5	19.5	14	18	10
9512 8-M10x1	8/6	M10x1	16.5	18.5	7	30	17	27	10
9512 8-M12x1,5	8/6	M12x1,5	16.5	18.5	8.5	30.5	17	27	10
9512 8-M14x1,5	8/6	M14x1,5	16.5	18.5	8.5	27.5	17	25	10
9512 8-M16x1,5	8/6	M16x1,5	16.5	18.5	8.5	27	17	29	10
9512 8-M22x1,5	8/6	M22x1,5	16.5	23.5	8.5	21	19	39	10
9512 10/7-M12x1,5	10/7	M12x1,5	17.8	19.5	8.5	33.5	18	29	10
9512 10/7-M16x1,5	10/7	M16x1,5	17.8	19.5	8.5	28	18	27	10
9512 10/7-M22x1,5	10/7	M22x1,5	18.5	23.5	8.5	22.5	19	36	10
9512 10-M12x1,5	10/8	M12x1,5	17.8	19.5	8.5	33.5	18	29	10
9512 10-M16x1,5	10/8	M16x1,5	17.8	19.5	8.5	28	18	27	10
9512 10-M18x1,5	10/8	M18x1,5	17.8	19.5	8.5	28	18	31	10
9512 10-M22x1,5	10/8	M22x1,5	18.5	23.5	8.5	22.5	19	36	10
9512 12-M12x1,5	12/9	M12x1,5	19.8	21.5	8.5	34	20	32	10
9512 12-M14x1,5	12/9	M14x1,5	19.8	21.5	8.5	33.5	20	35	10
9512 12-M16x1,5	12/9	M16x1,5	19.8	21.5	8.5	32.5	20	36	10
9512 12-M22x1,5	12/9	M22x1,5	20.5	24	8.5	23	22	37	10
9512 15/11-M16x1,5	15/11	M16x1,5	23.8	26.5	8.5	37.5	24	52	10
9512 15/11-M22x1,5	15/11	M22x1,5	23.8	26.5	8.5	30.5	24	49	10
9512 15-M16x1,5	15/12	M16x1,5	23.8	26.5	8.5	37.5	24	52	10
9512 15-M22x1,5	15/12	M22x1,5	23.8	26.5	8.5	30.5	24	49	10
9512 16/12-M16x1,5	16/12	M16x1,5	25	30	8.5	41	27	71	10
9512 16/12-M22x1,5	16/12	M22x1,5	25	30	8.5	33.5	27	67	10
9512 16-M22x1,5	16/13	M22x1,5	25	30	8.5	33.5	27	67	10
9512 18-M22x1,5	18/14	M22x1,5	26.8	30	8.5	38.5	27	71	10

**Straight fittings Mod. D6512**

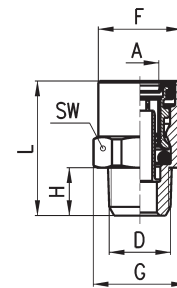
Supplied without any insert



**DIMENSIONS**

Mod.	A	D	F	G	H	L	SW	Weight (g)	Package (pcs)
<b>D6512 4-M10x1</b>	4	M10x1	11.7	13.2	7	24.5	12	10	10

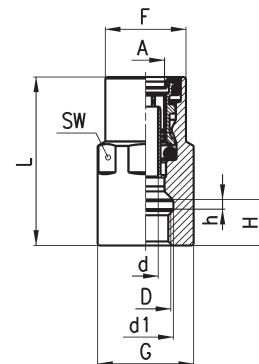
**Straight fittings Mod. 9510**



**DIMENSIONS**

Mod.	A	D	F	G	H	L	SW	Weight (g)	Package (pcs)
<b>9510 6-02</b>	6/4	1/8 NPTF	13.8	15	8	24.5	14	15	10
<b>9510 05-02</b>	8/6	1/8 NPTF	16.5	18.5	8	30	17	25	10

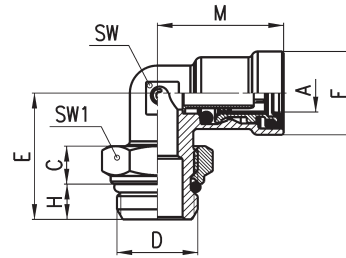
**Fittings with female thread Mod. 9463**



**DIMENSIONS**

Mod.	A	D	d	d1	H	h	L	F	G	SW	Weight (g)	Pack. (pcs)
<b>9463 6-M10x1</b>	6/4	M10x1	3	11	9	2	31.5	13.8	15	14	26	10
<b>9463 6-M16x1,5</b>	6/4	M16x1,5	3	-	10.5	-	34	15.3	21	19	49	10
<b>9463 8-M10x1</b>	8/6	M10x1	5	11	9	2	33	16.5	18.5	17	45	10

## Elbow fittings Mod. 9502

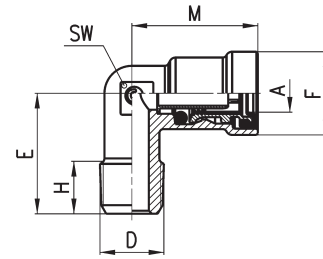


## DIMENSIONS

Mod.	A	C	D	E	F	H	M	SW	SW1	Weight (g)	Package (pcs)
9502 6-M10x1	6/4	5	M10x1	21	14.5	5	22.5	9	14	24	10
9502 6-M12x1,5	6/4	7	M12x1,5	23.5	14.5	7.5	22.5	9	17	28	10
9502 6-M16x1,5	6/4	7.5	M16x1,5	25	14.5	7	23	11	19	37	10
9502 8-M10x1	8/6	5	M10x1	22	16.5	5	25	11	14	29	10
9502 8-M12x1,5	8/6	7	M12x1,5	25	16.5	7.5	25	11	17	35	10
9502 8-M14x1,5	8/6	7	M14x1,5	25	16.5	7.5	25	11	19	37	10
9502 8-M16x1,5	8/6	7.5	M16x1,5	25	16.5	7	25	11	19	36	10
9502 8-M22x1,5	8/6	8.5	M22x1,5	29	16.5	8	25	11	27	58	10
9502 10/7-M12x1,5	10/7	7	M12x1,5	26	18.5	7.5	27	13	17	43	10
9502 10/7-M16x1,5	10/7	7.5	M16x1,5	26	18.5	7	27	13	19	45	10
9502 10/7-M22x1,5	10/7	8.5	M22x1,5	29	18.5	8	27	13	27	66	10
9502 10-M12x1,5	10/8	7	M12x1,5	26	18.5	7.5	27	13	17	43	10
9502 10-M16x1,5	10/8	7.5	M16x1,5	26	18.5	7	27	13	19	45	10
9502 10-M22x1,5	10/8	8.5	M22x1,5	29	18.5	8	27	13	27	66	10
9502 12-M12x1,5	12/9	7	M12x1,5	27	20.5	7.5	28.5	15	17	51	10
9502 12-M16x1,5	12/9	7.5	M16x1,5	27	20.5	7	28.5	15	19	50	10
9502 12-M22x1,5	12/9	8.5	M22x1,5	30	20.5	8	28.5	15	27	71	10
9502 15/11-M16x1,5	15/11	7.5	M16x1,5	30.5	24.5	7	34	18	19	81	10
9502 15/11-M22x1,5	15/11	8.5	M22x1,5	34	24.5	8	34	18	27	99	10
9502 15-M16x1,5	15/12	7.5	M16x1,5	30.5	24.5	7	34	18	19	81	10
9502 15-M22x1,5	15/12	8.5	M22x1,5	34	24.5	8	34	18	27	99	10
9502 16/12-M16x1,5	16/12	7.5	M16x1,5	32	25	7	35.5	21	19	108	10
9502 16/12-M22x1,5	16/12	8.5	M22x1,5	33	25	8	35.5	21	27	119	10
9502 16-M22x1,5	16/13	8.5	M22x1,5	33	25	8	35.5	21	27	119	10
9502 18-M22x1,5	18/14	8.5	M22x1,5	33	27.5	8	35.5	21	27	123	10

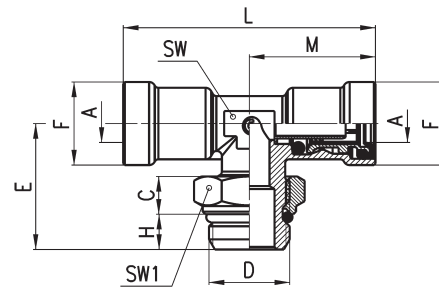


Elbow fittings Mod. 9500



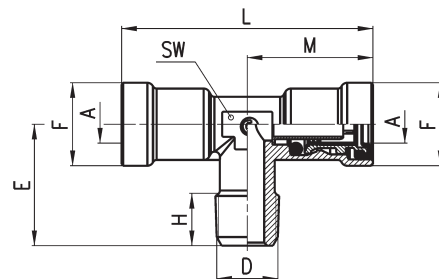
DIMENSIONS										
Mod.	A	D	E	F	H (min)	M	SW	Weight (g)	Package (pcs)	
9500 6-02	6/4	1/8 NPTF	17.5	14.5	7	21.5	9	17	10	
9500 05-02	8/6	1/8 NPTF	17	16.5	7	25	11	23	10	
9500 12-06	12/9	3/8 NPTF	24.5	20.5	11	28.5	15	43	10	

Tee fittings Mod. 9412



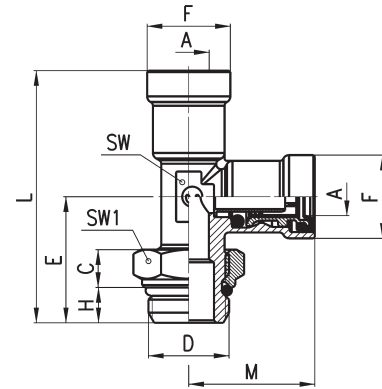
DIMENSIONS												
Mod.	A	C	D	E	F	H	L	M	SW	SW1	Weight (g)	Pack. (pcs)
9412 6-M10x1	6/4	5	M10x1	22	14.5	5	45	22.5	9	14	35	10
9412 6-M12x1,5	6/4	7	M12x1.5	27	14.5	7.5	46	23	11	17	52	10
9412 6-M16x1,5	6/4	7.5	M16x1.5	27	14.5	7	46	23	11	19	55	10
9412 8-M12x1,5	8/6	7	M12x1.5	27	16.5	7.5	50	25	11	17	53	10
9412 8-M16x1,5	8/6	7.5	M16x1.5	27	16.5	7	50	25	11	19	57	10
9412 8-M22x1,5	8/6	8.5	M22x1.5	32	16.5	8	53	26.5	15	27	94	10
9412 10/7-M12x1,5	10/7	7	M12x1.5	29	18.5	7.5	55	27.5	15	17	79	10
9412 10/7-M16x1,5	10/7	7.5	M16x1.5	29	18.5	7	55	27.5	15	19	81	10
9412 10/7-M22x1,5	10/7	8.5	M22x1.5	32	18.5	8	55	27.5	15	27	101	10
9412 10-M12x1,5	10/8	7	M12x1.5	29	18.5	7.5	55	27.5	15	17	79	10
9412 10-M16x1,5	10/8	7.5	M16x1.5	29	18.5	7	55	27.5	15	19	81	10
9412 10-M22x1,5	10/8	8.5	M22x1.5	32	18.5	8	55	27.5	15	27	101	10
9412 12-M12x1,5	12/9	7	M12x1.5	29	20.5	7.5	57	28.5	15	17	72	10
9412 12-M16x1,5	12/9	7.5	M16x1.5	29	20.5	7	57	28.5	15	19	74	10
9412 12-M22x1,5	12/9	8.5	M22x1.5	32	20.5	8	57	28.5	15	27	93	10
9412 15/11-M16x1,5	15/11	7.5	M16x1.5	32.5	24.5	7	68	34	18	19	115	10
9412 15/11-M22x1,5	15/11	8.5	M22x1.5	34	24.5	8	68	34	18	27	134	10
9412 15-M16x1,5	15/12	7.5	M16x1.5	32.5	24.5	7	68	34	18	19	115	10
9412 15-M22x1,5	15/12	8.5	M22x1.5	34	24.5	8	68	34	18	27	134	10

Tee fittings Mod. 9410



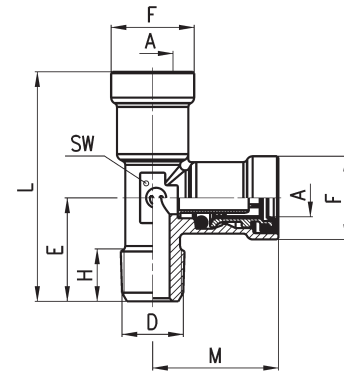
DIMENSIONS										
Mod.	A	D	E	F	H (min)	L	M	SW	Weight (g)	Package (pcs)
9410 6-02	6/4	1/8 NPTF	17.5	14.5	7	45	22.5	9	29	10
9410 05-02	8/6	1/8 NPTF	18	16.5	7	50	25	11	39	10

## Tee fittings Mod. 9422



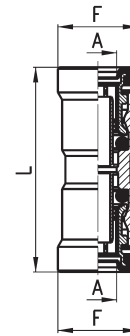
DIMENSIONS												
Mod.	A	C	D	E	F	H	L	M	SW	SW1	Weight (g)	Pack. (pcs)
9422 6-M10x1	6/4	5	M10x1	22	14.5	5	44.5	22.5	9	14	35	10
9422 6-M12x1,5	6/4	7	M12x1,5	27	14.5	7.5	50	23	11	17	52	10
9422 6-M16x1,5	6/4	7.5	M16x1,5	27	14.5	7	50	23	11	19	54	10
9422 8-M12x1,5	8/6	7	M12x1,5	27	16.5	7.5	52	25	11	17	54	10
9422 8-M16x1,5	8/6	7.5	M16x1,5	27	16.5	7	52	25	11	19	57	10
9422 8-M22x1,5	8/6	8.5	M22x1,5	32	16.5	8	58.5	26.5	15	27	95	10
9422 10-M16x1,5	10/8	7.5	M16x1,5	29	18.5	7	56.5	27.5	15	19	81	10
9422 10-M22x1,5	10/8	8.5	M22x1,5	32	18.5	8	59.5	27.5	15	27	102	10
9422 12-M12x1,5	12/9	7	M12x1,5	29	20.5	7.5	57.5	28.5	15	17	73	10
9422 12-M16x1,5	12/9	7.5	M16x1,5	29	20.5	7	57.5	28.5	15	19	72	10
9422 12-M22x1,5	12/9	8.5	M22x1,5	32	20.5	8	60.5	28.5	15	27	95	10
9422 15-M16x1,5	15/12	7.5	M16x1,5	32.5	24.5	7	66.5	34	18	19	117	10
9422 15-M22x1,5	15/12	8.5	M22x1,5	34	24.5	8	68	34	18	27	134	10

## Tee fittings Mod. 9420



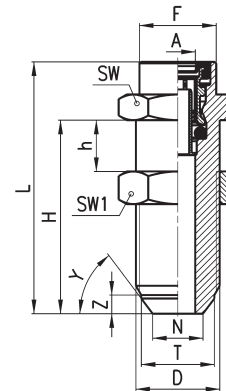
DIMENSIONS											
Mod.	A	D	E	F	H (min)	L	M	SW	Weight (g)	Package (pcs)	
9420 6-02	6/4	1/8 NPTF	17.5	14.5	7	40	22.5	9	29	10	
9420 05-02	8/6	1/8 NPTF	18	16.5	7	43	25	11	40	10	

Connectors Mod. 9580



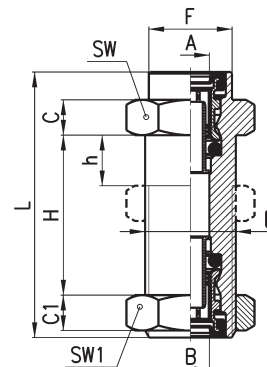
DIMENSIONS					
Mod.	A	F	L	Weight (g)	Package (pcs)
9580 6	6/4	14	37.5	20	10
9580 8	8/6	16	41	27	10
9580 10	10/8	18	44	32	10
9580 10/7	10/7	18	44	32	10
9580 12	12/9	20	45.5	43	10
9580 15/11	15/11	24	52	87	10
9580 16/12	16/12	25	58	100	10
9580 18	18/14	27	57	109	10

Bulkhead connectors Mod. 9590



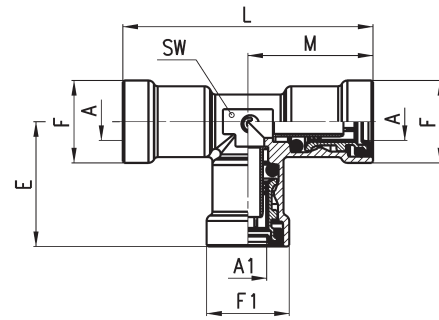
DIMENSIONS														
Mod.	A	D	F	H	h	L	N	T	Y	Z	SW	SW1	Weight (g)	Package (pcs)
9590 8-M18x1,5	8/6	M18x1.5	-	50	10	55.5	10.8	15.7	53	4	22	22	88	10
9590 12-M18x1,5	12/9	M18x1.5	20.5	34	4	53	11	16	60	5	22	22	83	10
9590 12-M18x1,5-S04	12/9	M18x1.5	20.5	33	4	52	10.8	15.7	53	4	22	-	71	10

Bulkhead connectors Mod. 9592



DIMENSIONS													
Mod.	A	B	C	C1	D	F	H	h (min)	L	SW	SW1	Weight (g)	Package (pcs)
9592 8-8-M18X1	8/6	8/6	5.5	7	M18x1	-	30	18	43.5	22	22	75	10
9592 12-8-M18X1	12/9	8/6	7.5	7	M18x1	20.5	30	18	57	22	22	87	10

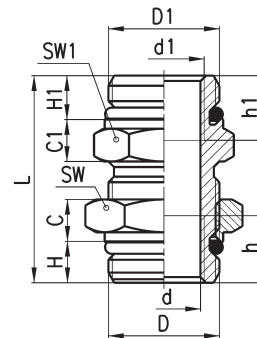
## Tee fittings Mod. 9540



## DIMENSIONS

Mod.	A	A1	E	F	F1	L	M	SW	Weight (g)	Pack. (pcs)
<b>9540 6</b>	6/4	6/4	22.5	14.5	14.5	45	22.5	9	35	10
<b>9540 8</b>	8/6	8/6	25	16.5	16.5	50	25	11	52	10
<b>9540 10</b>	10/8	10/8	27.5	18.5	18.5	55	27.5	15	80	10
<b>9540 10/7</b>	10/7	10/7	27.5	18.5	18.5	55	27.5	15	80	10
<b>9540 12</b>	12/9	12/9	28.5	20.5	20.5	57	28.5	15	73	10
<b>9540 15/11</b>	15/11	15/11	34	24.5	24.5	68	34	18	134	10
<b>9540 8-8-6</b>	8/6	6/4	23	16.5	14.5	50	25	11	49	10
<b>9540 12-12-8</b>	12/9	8/6	26.5	20.5	16.5	57	28.5	15	72	10

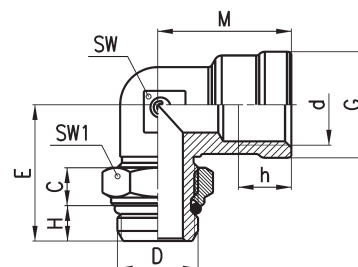
## Bulkhead connectors Mod. D2512 and D2502



## DIMENSIONS

Mod.	D	D1	d	d1	H	H1	h (min)	h1 (min)	C	C1	L	SW	SW1	Weight (g)	Package (pcs)
<b>D2512 M22x1,5-M16x1,5</b>	M22x1.5	M16x1.5	M16x1.5	M10x1	8	8.5	10.5	10.5	8.5	8.5	48	27	22	78	10
<b>D2502 M22x1,5-M22x1,5</b>	M22x1.5	M22x1.5	-	-	8	8.5	-	-	8.5	8.5	39	27	24	77	10

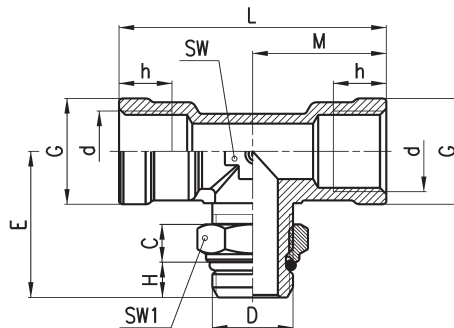
## Elbow fittings Mod. D2022



## DIMENSIONS

Mod.	D	d	C	E	G	H	h (min)	M	SW	SW1	Weight (g)	Package (pcs)
<b>D2022 M16x1,5-M16x1,5</b>	M16x1.5	M16x1.5	7.5	27	21	7	10.5	26.5	15	19	51	10
<b>D2022 M16x1,5-M22x1,5</b>	M22x1.5	M16x1.5	8.5	30	21	8	10.5	26.5	15	27	70	10
<b>D2022 M22x1,5-M22x1,5</b>	M22x1.5	M22x1.5	8.5	33	27	8	11	22	24	27	91	10

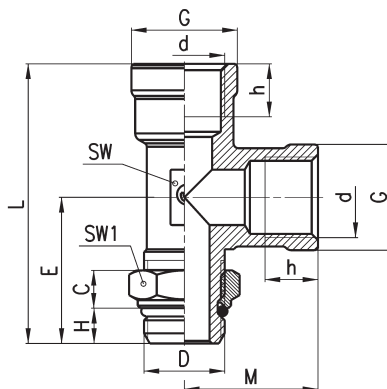
Tee fittings Mod. D2062



DIMENSIONS

Mod.	d	D	C	E	G	H	h (min)	L	M	SW	SW1	Weight (g)	Package (pcs)
<b>D2062 M16x1,5-M12x1,5</b>	M16x1.5	M22x1.5	7	29	21	7.5	10.5	53	26.5	15	17	76	10
<b>D2062 M16x1,5-M16x1,5</b>	M16x1.5	M16x1.5	7.5	29	21	7	10.5	37	18.5	20	19	64	10
<b>D2062 M16x1,5-M22x1,5</b>	M16x1.5	M22x1.5	8.5	32	21	8	10.5	37	18.5	20	27	86	10
<b>D2062 M22x1,5-M22x1,5</b>	M22x1.5	M22x1.5	8.5	33	27	8	11	64	32	20	27	127	10

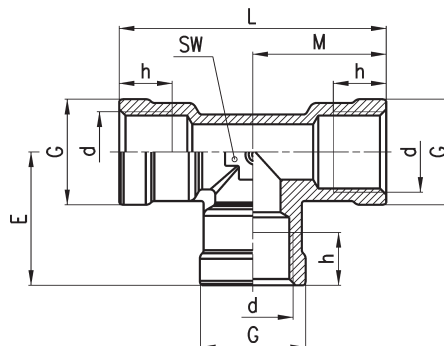
Tee fittings Mod. D2072



DIMENSIONS

Mod.	d	D	C	E	G	H	h (min)	L	M	SW	SW1	Weight (g)	Package (pcs)
<b>D2072 M16x1,5-M12x1,5</b>	M16x1.5	M22x1.5	7	29	21	7.5	10.5	55.5	26.5	15	17	67	10
<b>D2072 M16x1,5-M16x1,5</b>	M16x1.5	M16x1.5	7.5	29	21	7	10.5	47.5	18.5	20	19	64	10
<b>D2072 M16x1,5-M22x1,5</b>	M16x1.5	M22x1.5	8.5	32	21	8	10.5	50.5	18.5	20	27	86	10
<b>D2072 M22x1,5-M22x1,5</b>	M22x1.5	M22x1.5	8.5	33	27	8	11	65	32	20	27	127	10

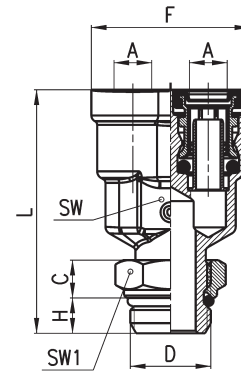
Tee fittings Mod. D2003



DIMENSIONS

Mod.	d	E	G	h (min)	M	L	SW	Weight (g)	Package (pcs)
<b>D2003 M16x1,5</b>	M16x1.5	18.5	21	10.5	18.5	37	20	49	10
<b>D2003 M22x1,5</b>	M22x1.5	32	27	11	32	64	20	117	10

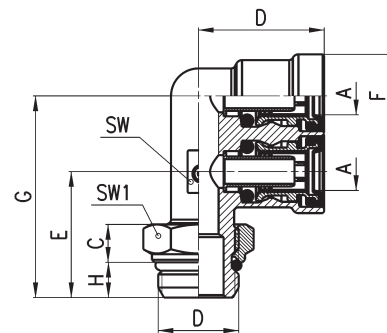
## Y fittings Mod. 9450



## DIMENSIONS

Mod.	A	C	D	F	H	L	SW	SW1	Weight (g)	Package (pcs)
<b>9450 8-M16x1,5</b>	8/6	7.5	M16x1.5	31.5	7	48.3	14	19	62	10
<b>9450 12-M16x1,5</b>	12/9	7.5	M16x1.5	40	7	58.7	20	19	120	10
<b>9450 12-M22x1,5</b>	12/9	8.5	M22x1.5	40	8	59.2	20	27	131	10

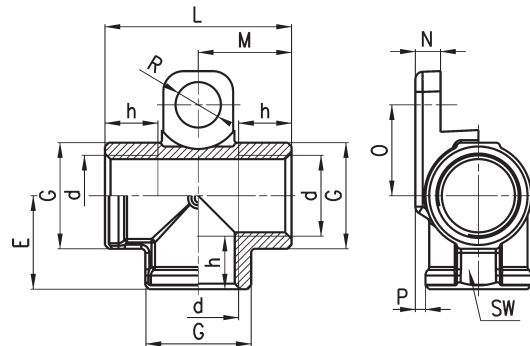
## Elbow fittings Mod. 9402



## DIMENSIONS

Mod.	A	C	D	E	F	G	H	SW	Weight (g)	Pack. (pcs)
<b>9402 12-M16x1,5</b>	12/9	7.5	M16x1.5	31	Ø21	50	7	15	98	10
<b>9402 12-M22x1,5</b>	12/9	8.5	M22x1.5	30	Ø21	49	8	15	111	10

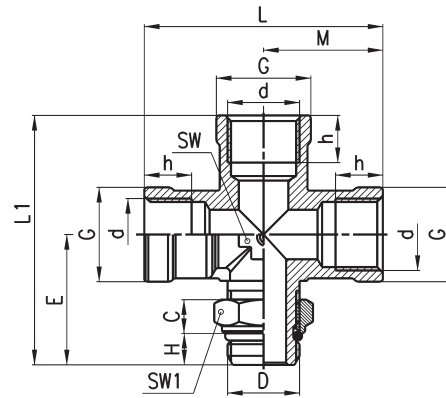
## Tee fittings Mod. D2003...S01



## DIMENSIONS

Mod.	d	E	G	h (min)	L	M	N	O	P	R	SW	Weight (g)	Package (pcs)
<b>D2003 M16x1,5-S01</b>	M16x1.5	18.5	21	10.5	37	18.5	5	18	2	9	21	49	10

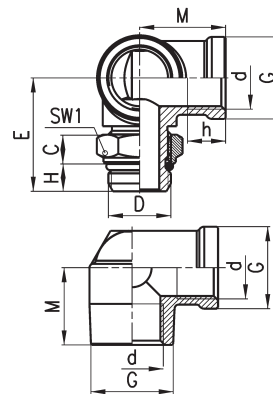
Cross fittings Mod. D2032



DIMENSIONS

Mod.	d	D	C	E	G	H	h	L	L1	M	SW	SW1	Weight (g)	Package (pcs)
<b>D2032 M16x1,5-M16x1,5</b>	M16x1.5	M16x1.5	7	29	21	7.5	10.5	56	57	28	15	17	110	10

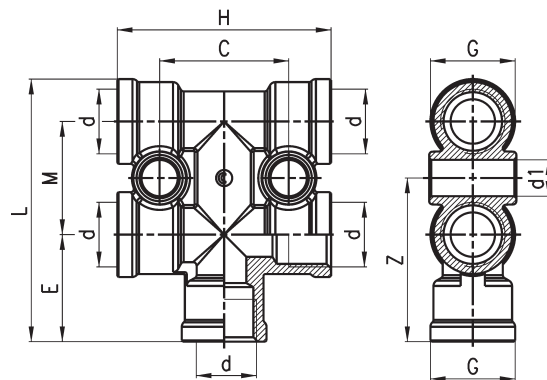
Elbow fittings Mod. D2077



DIMENSIONS

Mod.	D	d	C	E	G	H	h	M	SW	Weight (g)	Package (pcs)
<b>D2077 M16x1,5-M16x1,5-S01</b>	M16x1.5	M16x1.5	7.5	34	21	7	10.5	22	19	85	10
<b>D2077 M16x1,5-M22x1,5-S01</b>	M16x1.5	M22x1.5	8.5	35.5	21	8	10.5	22	27	95	10

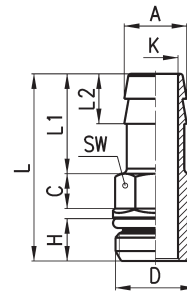
Fittings Mod. D3043



DIMENSIONS

Mod.	d	d1	C	E	M	L	H	G	Z	Weight (g)	Package (pcs)
<b>D3043 M16X1,5-2D-M16X1,5-S01</b>	M16X1.5	9	32	26.5	28	65	53	21	40.5	135	10

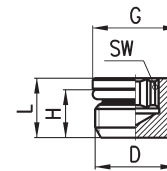
## Hose adapters Mod. D2602



## DIMENSIONS

Mod.	A	D	H	C	L	L1	L2	K	SW	Weight (g)	Pack. (pcs)
<b>D2602 10-M16X1,5-L=30</b>	11	M16x1.5	8.5	5	46	30	10	7.5	14	26	10
<b>D2602 11,5-M16X1,5-L=35</b>	12.5	M16x1.5	8.5	5	51	35	10	9	14	26	10
<b>D2602 12-M16x1,5</b>	12.5	M16x1.5	8.5	5	36	20	10	9	14	22	10
<b>D2602 12-M22x1,5</b>	12.5	M22x1.5	8.5	5	36.5	20	10	9	19	34	10
<b>D2602 13-M16x1,5-S01</b>	15	M16x1.5	9	7	56	40	10	10	22	48	10

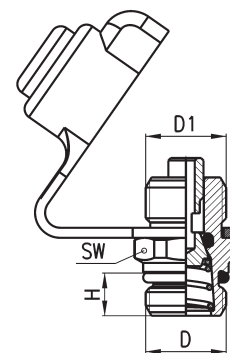
## Taps Mod. D2612



## DIMENSIONS

Mod.	D	H	L	G	SW	Weight (g)	Package (pcs)
<b>D2612 M12x1,5</b>	M12x1.5	8.5	10.5	12.9	6	6	10
<b>D2612 M16x1,5</b>	M16x1.5	8.5	11	17	8	12	10
<b>D2612 M22x1,5</b>	M22x1.5	8.5	11.5	23.5	12	24	10

## Test point valve Mod. VPC

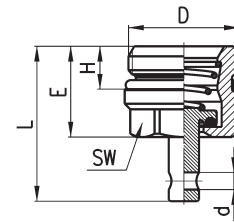


## DIMENSIONS

Mod.	D	D1	H	L	SW	Weight (g)	Package (pcs)
<b>VPC M16x1,5-M16x1,5</b>	M16x1.5	M16x1.5	8.5	27.5	19	40	10
<b>VPC M22x1,5-M16x1,5</b>	M22x1.5	M16x1.5	8.5	27	24	51	10



Drain valve Mod. VDC



DIMENSIONS

Mod.	D	d	H	E	L	SW	Weight (g)	Package (pcs)
<b>VDC M22X1,5</b>	M22x1.5	3.4	8.5	18	30.7	19	32	10

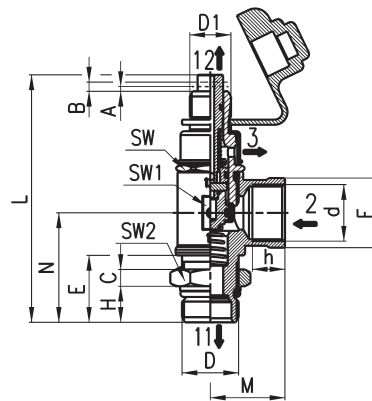
Fittings Mod. V604



A = rod position for tire inflation  
 B = rod position for tank filling through air intake for tire inflation

2 = energy supply  
 3 = drain  
 11, 12 = energy flow

Flow 2 + 11 bar at 6 bar ΔP 1: 1620 l/min  
 Flow 2 + 12 bar at 6 bar with no interruption:  
 400 l/min  
 Safety pressure: 10 bar Q = 100 l/min;  
 8 bar Q = 0 l/min



DIMENSIONS

Mod.	C	D	D1	d	E	F	H	h (min)	L	M	N	SW	SW1	SW2	Weight (g)	Package (pcs)
<b>V604 M22X1,5-S01</b>	8.5	M22X1.5	M16X1.5	M22X1.5	26	27	12	11	95	29	42.5	24	27	27	250	2

**Tubes Mod. TRN**

Black tubes in polyamide (PA12)

According to standards:

- DIN 74324
- REACH REGULATION (EC N°1907/2006)
- EUROPEAN DIRECTIVE RoHS n° 2002/95/EC


**CHARACTERISTICS**

Mod.	D/d	MAX pressure at 23°C (bar)	Weight (g/m)	Min. curve radius (mm)	Operating temperature (°C)	Size (m)
TRN 4/2 NX	4/2	49	9.6	16	-55°C + +100°C	50
TRN 6/4 NX	6/4	29	16	30	-55°C + +100°C	50
TRN 8/6 NX	8/6	21	22.4	40	-55°C + +100°C	50
TRN 10/8 NX	10/8	16	28.8	60	-55°C + +100°C	50
TRN 12/9 NX	12/9	21	50.4	60	-55°C + +100°C	50
TRN 15/12 NX	15/12	16	64.9	90	-55°C + +100°C	50
TRN 16/13 NX	16/13	13	71	120	-55°C + +100°C	50
TRN 18/14 NX	18/14	18	102.5	100	-55°C + +100°C	50

\* TRN 16/13 NX not foreseen by DIN 74324 standard

**Tube cutter tool Mod. PNZ and PNZP**


PNZ-25



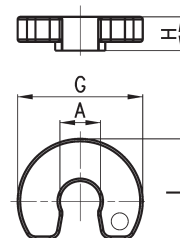
PNZP-12

Mod.

PNZ-12	able to cut tubes with Ø up to 12 mm
PNZ-25	able to cut tubes with Ø up to 25 mm
PNZP-12	able to cut tubes with Ø up to 12 mm

**Tube disconnecting key Mod. DRK**

Material: technopolymer


**DIMENSIONS**

Mod.	A	G	H	L	Weight (g)	Package (pcs)
DRK 6	6	25	6	19	1	10
DRK 8	8	28.5	7	20	1	10
DRK 10	10	30.5	9	22	2	10
DRK 12	12	33	9	23	3	10
DRK 15	15	36	10	27	3	10
DRK 16	16	37	10	27.5	4	10
DRK 18	18	40	12	31	5	10

### Repair kit with Series 9000 C-Truck fittings

For braking systems of industrial vehicles

The kit is supplied with:

2x 9580 6	1x DRK 6	1x PNZP-12
2x 9580 8	1x DRK 8	
2x 9580 10	1x DRK 10	
2x 9580 12	1x DRK 12	



Mod.

TRUCK-DCASE/9000

### Repair kit with Series 6000 fittings

For accessory equipment of industrial vehicles

The kit is supplied with:

2x 6580 4	2x 6580 10	1x PNZP-12
2x 6580 5	1x 6580 12	
2x 6580 6	1x 6580 14	
2x 6580 8		



Mod.

TRUCK-DCASE/6000

### Repair kit with Series 9000 C-Truck and Series 6000 fittings

For braking systems (Series 9000) and accessory equipment of industrial vehicles (Series 6000)

The kit is supplied with:

1x 6580 4	2x 6580 10	2x 9580 6	1x DRK 6
1x 6580 5	1x 6580 12	2x 9580 8	1x DRK 8
1x 6580 6	1x 6580 14	1x 9580 10	1x DRK 10
1x 6580 8		1x 9580 12	1x DRK 12
			1x PNZP-12



Mod.

TRUCK-DCASE/9000+6000



## Contacts

**Camozzi spa**  
**Società Unipersonale**  
 Via Eritrea, 20/I  
 25126 Brescia - Italy  
 Tel. +39 030 37921  
 Fax +39 030 2400430  
 info@camozzi.com  
 www.camozzi.com

Camozzi  
in the world

**Camozzi Neumatica S.A.**  
 Prof. Dr. Pedro Chutro 3048  
 1437 Buenos Aires  
**Argentina**  
 Tel. +54 11/49110816  
 Fax +54 11/49124191  
 info@camozzi.com.ar  
 www.camozzi.com.ar

**Camozzi GmbH Pneumatic**  
 Löfflerweg 18  
 A-6060 Hall in Tirol  
**Austria**  
 Tel. +43 5223/52888-0  
 Fax +43 5223/52888-500  
 info@camozzi.at  
 www.camozzi.at

**Camozzi do Brasil Ltda.**  
 Rua Estácio de Sá, 1042  
 13080-010 Campinas SP  
**Brazil**  
 Tel. +55 19/21374500  
 Fax +55 19/21374530  
 sac@camozzi.com.br  
 www.camozzi.com.br

**Camozzi Pneumatic**  
 64 Pererkhodnaya str., 1<sup>st</sup> floor  
 Minsk - 220070  
**Byelorussia**  
 Tel. +375 17/3961170 (71)  
 Fax +375 17/3961170 (71)  
 info@camozzi.by  
 www.camozzi.by

**Shanghai Camozzi Pneumatic Control Components Co, Ltd.**  
 415, Ren De Road  
 200434 Shanghai  
**China**  
 Tel. +86 21/65363650  
 Fax +86 21/65360613  
 info@camozzi.com.cn  
 www.camozzi.com.cn

**Shanghai Camozzi Automation Control Co, Ltd.**  
 717, Shuang Dan Road,  
 Malu Town  
 201801 Jiading Ind. District  
 Shanghai  
**China**  
 Tel. +86 21/59100999  
 Fax +86 21/59100333  
 info@camozzi.com.cn  
 www.camozzi.com.cn

**Camozzi Aps**  
 Metalvej 7 F  
 4000 Roskilde  
**Denmark**  
 Tel. +45 46/750202  
 Fax +45 46/750203  
 info@camozzi.dk  
 www.camozzi.dk

**Camozzi Automation OÜ**  
 Osmussaare 8-B204  
 13811 Tallinn  
**Estonia**  
 Tel. +372 611/9055  
 Fax +372 611/9055  
 info@pneumaatika.eu  
 www.pneumaatika.eu

**Camozzi Pneumatic Sarl**  
 5, Rue Louis Gattefossé  
 Parc de la Bandonnière  
 69800 Saint Priest  
**France**  
 Tel. +33 478/213408  
 Fax +33 472/280136  
 info@camozzi.fr  
 www.camozzi.fr

**Camozzi GmbH Pneumatic**  
 Porschestraße 1  
 D-73095 Albershausen  
**Germany**  
 Tel. +49 7161/91010-0  
 Fax +49 7161/91010-99  
 info@camozzi.de  
 www.camozzi.de

**Camozzi India Private Limited**  
 No D-44 Phase II Ext.,  
 Hosiery Complex  
 Noida - 201 305  
 Uttar Pradesh  
**India**  
 Tel. +91 120/4055252  
 Fax +91 120/4055200  
 info@camozzi-india.com  
 www.camozzi.in

**Camozzi Pneumatic Kazakhstan LLP**  
 Shevchenko/Radostovec,  
 165b/72g, off. 503  
 050009 Almaty  
**Kazakhstan**  
 Tel. +7 727/3335334  
 Fax +7 727/3335334  
 info@camozzi.kz  
 www.camozzi.kz

**Camozzi Malaysia SDN. BHD.**  
 30 & 32, Jalan Industri USJ 1/3  
 Taman Perindustrian USJ 1  
 47600 Subang Jaya  
 Selangor  
**Malaysia**  
 Tel. +60 3/80238400  
 Fax +60 3/80235626  
 cammal@camozzi.com.my  
 www.camozzi.com.my

**Camozzi Neumatica de Mexico S.A. de C.V.**  
 Lago Tanganica 707  
 Col. Ocho Cedros 2<sup>a</sup> sección  
 50170 Toluca  
**México**  
 Tel. +52 722/2707880  
 +52 722/2126283  
 Fax +52 722/2707860  
 camozzi@camozzi.com.mx  
 www.camozzi.com.mx

**Camozzi Pneumatic Ltd.**  
 Floor 14, Leningradskaya Street,  
 1-A Himki, Moscow Region  
 141400 Moscow  
**Russian Federation**  
 Tel. +7 495/7354961  
 Fax +7 495/7354961  
 info@camozzi.ru  
 www.camozzi.ru

**Camozzi Pneumatik AB**  
 Box 9214  
 Bronsxyegatan 7  
 20039 Malmö  
**Sweden**  
 Tel. +46 40/6005800  
 Fax +46 40/6005899  
 info@camozzi.se  
 www.camozzi.se

**Camozzi Benelux B.V.**  
 De Vijf Boeken 1 A  
 2911 BL Nieuwerkerk  
 a/d IJssel  
**The Netherlands**  
 Tel. +31 180/316677  
 Fax +31 180/316616  
 info@camozzi.nl  
 www.camozzi.nl

**Camozzi-Pneumatic Simferopol, LLC**  
 Frunze Str, 1-3, section "D"  
 95018 - Kiev  
**Ukraine**  
 Tel. +38 044/5369520  
 Fax +38 044/5369520  
 info@camozzi.ua  
 www.camozzi.ua

**Camozzi Pneumatics Ltd.**  
 The Fluid Power Centre  
 Watling Street  
 Nuneaton, Warwickshire  
 CV11 6BQ  
**United Kingdom**  
 Tel. +44 (0)24/76374114  
 Fax +44 (0)24/76347520  
 info@camozzi.co.uk  
 www.camozzi.co.uk

**Camozzi Pneumatics Inc.**  
 2160 Redbud Blvd., TX 75069  
 P.O. Box 2386, TX 75070  
 McKinney - Texas  
**USA**  
 Tel. +1 972/5488885  
 Fax +1 972/5482110  
 info@camozzi-usa.com  
 www.camozzi-usa.com

**Camozzi Venezuela S.A.**  
 Calle 146 con Av. 62  
 N°146-180  
 P.O. Box 529  
 Zona Industrial Maracaibo  
 Edo. Zulia  
**Venezuela**  
 Tel. +58 261/7360821  
 Fax +58 261/7360401  
 info@camozzi.com.ve  
 www.camozzi.com.ve

**Camozzi R.O. in Hochiminh City**  
 Unit 1.02, 1<sup>st</sup> floor,  
 Vietnam Business Center  
 57-59 Ho Tung Mau Street,  
 Ben Nghe Ward, District 3  
 Hochiminh City  
**Vietnam**  
 Tel. +84 8/39143042  
 Fax +84 8/38217843  
 bhthien@camozzi.com.vn  
 www.camozzi.com.vn

Other  
countries

See our distributors network on  
 Camozzi website within the section  
**Contacts / Camozzi Worldwide**

